

## PRODUCT DATA SHEET

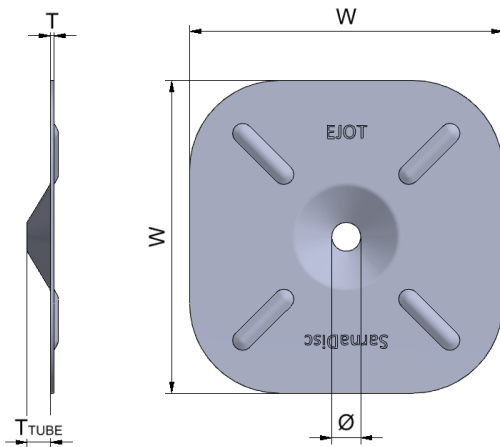
## Sarnadisc T

METAL WASHER FOR FIXING OF THERMAL INSULATION TO ROOF STRUCTURES

SIKA NZ  
APPROVED  
CONTRACTOR  
ONLYAVAILABLE  
ON INDENT  
ORDER  
ONLY

## DESCRIPTION

Square, zinc plated steel washer with rounded edges for fixing thermal insulation to roof structures. Fastened with one fastener per washer. The flat surface makes it ideal for fastening thermal insulation beneath roof waterproofing membranes.



## USES

Sarnadisc® T washer is used for mechanical fastening of thermal insulation in combination with appropriate Sarnafast® Fastener. Only for fastening thermal insulation underneath roof waterproofing membranes. Sarnadisc® T washer shall not be used for the mechanical fastening of roof waterproofing membranes. Suitable roofing system under 70% R.H. environment without chemical corrosion condition.

## CHARACTERISTICS / ADVANTAGES

- Resistant to most common environmental influences
- Ease of application in use with recommended setting tools
- Recyclable

## APPROVALS / STANDARDS

- EN ISO 9001 / 14001
- DIN 50018 /GBT 9789-2008
- ISO 9227 / GBT 10125-2012

## PRODUCT INFORMATION

Packaging	Item Code	Weight (kg/box)	Ø (mm)	T (mm)	T <sub>tube</sub> (mm)	W (mm)
	482184	8.1	6.5	1	5	70
300 pcs/box						

## Shelf Life

Product does not expire during correct storage.

## Storage Conditions

The product must be stored in original, unopened and undamaged packaging in dry conditions between + 5 °C and + 30 °C. Always refer to packaging. Do not stack pallets or any other material on top during transport or

storage.

Corrosion Resistance	Salt spray test	≥ 1000 hours	GB/T 10125-2012
	Kesternich test	≥ 20 cycles	GB/T 9789-2008

## SYSTEM INFORMATION

System Structure	The following products must be considered for use depending on roof design: Sarnafast® 6.0
------------------	--

## APPLICATION INFORMATION

Ambient Air Temperature	- 20 °C min. / + 60 °C max.
Substrate Temperature	- 30 °C min. / + 60 °C max.

## APPLICATION INSTRUCTIONS

### APPLICATION

Sarnadisc® T washer must be installed in accordance with Sika application manual and installation instructions. Sarnadisc® T washer in combination with appropriate Sarnafast® Fastener is used for the mechanical fastening of thermal insulation. For more information look up the Product Data Sheet Sarnafast® 6.0.

### LIMITATIONS

- Installation work must only be carried out by Sika® trained and approved contractors, experienced in this type of application
- Special measures may be compulsory for installation below + 5 °C ambient temperature due to safety requirements in accordance with national regulations.

### BASIS OF PRODUCT DATA

All technical data stated in this Product Data Sheet are based on laboratory tests. Actual measured data may vary due to circumstances beyond our control.

### LOCAL RESTRICTIONS

Please note that as a result of specific local regulations the performance of this product may vary from country to country. Please consult the local Product Data Sheet for the exact description of the application fields.

## ECOLOGY HEALTH AND SAFETY

### LEGAL NOTES

The information, and, in particular, the recommendations relating to the application and end-use of Sika products, are given in good faith based on Sika's current knowledge and experience of the products when properly stored, handled and applied under normal conditions in accordance with Sika's recommendations. In practice, the differences in materials, substrates and actual site conditions are such that no warranty in respect of merchantability or of fitness for a particular purpose, nor any liability arising out of any legal relationship whatsoever, can be inferred either from this information, or from any written recommendations, or from any other advice offered. The user of the product must test the product's suitability for the intended application and purpose. Sika reserves the right to change the properties of its products. The proprietary rights of third parties must be observed. All orders are accepted subject to our current terms of sale and delivery. Users must always refer to the most recent issue of the local Product Data Sheet for the product concerned, copies of which will be supplied on request. It may be necessary to adapt the above disclaimer to specific local laws and regulations. Any changes to this disclaimer may only be implemented with permission of Sika® Corporate Legal in Baar.

**Sika (NZ) Limited**  
85-91 Patiki Road  
Avondale, Auckland 1026  
New Zealand  
0800 745 269  
www.sika.co.nz



**Product Data Sheet**  
**Sarnadisc T**  
September 2020, Version 02.02  
02094505110000073

SarnadiscT-en-NZ-(09-2020)-2-2.pdf

