

PRODUCT DATA SHEET

Sikaplan® WP Trumpet Flange

PREFORMED SEALING ELEMENT FOR ANCHOR PENETRATIONS

SIKA NZ
APPROVED
CONTRACTOR
ONLY

DESCRIPTION

Sikaplan® WP Trumpet Flange is a preformed flange element with round base plate and pipe on base of PVC-p.

USES

Sikaplan® WP Trumpet Flange is used as a sealing element for anchor penetrations through PVC membrane systems. Alternatively, the product can be used as injection flange for PVC membrane systems.

CHARACTERISTICS / ADVANTAGES

- Compatible with all Sikaplan® WP membranes on base of PVC-p by heat welding
- Flexible and versatile
- For various anchor and rebar diameters
- Easy and quick application

APPROVALS / STANDARDS

Quality management system ISO 9001

PRODUCT INFORMATION

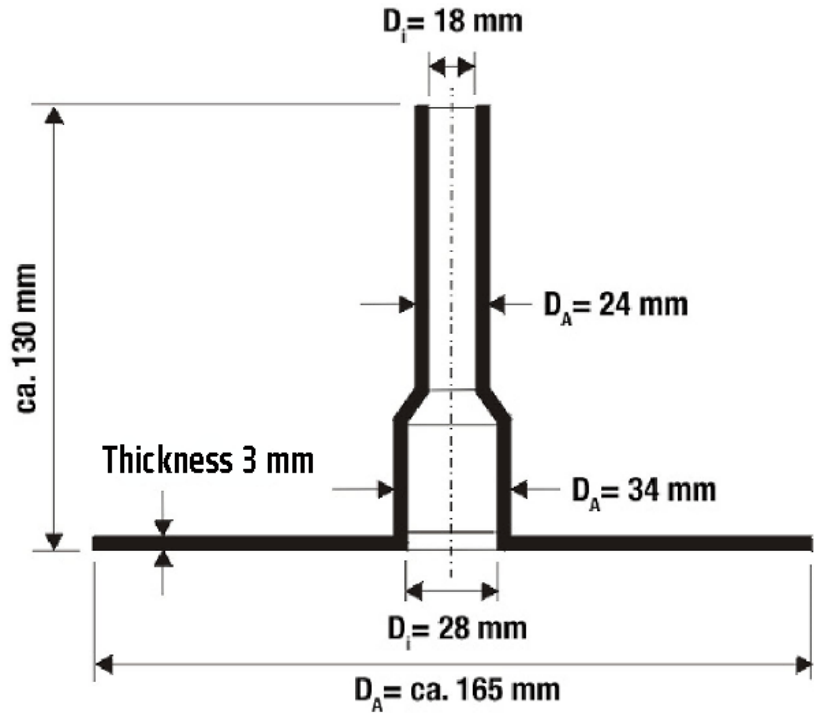
Packaging	40 pcs / cardboard box
Appearance / Colour	Trumpet-like preformed element with black colour



Shelf Life 5 years shelf life from date of production if stored properly in undamaged, unopened, original sealed packaging.

Storage Conditions Pieces must be stored in their original packaging and in cool and dry conditions. They must be protected from direct sunlight, rain, snow and ice, etc.

Dimensions



Unit weight 150 g/piece

TECHNICAL INFORMATION

Ambient Maximum Temperature of Liquids + 35 °C max. (service temperature)

SYSTEM INFORMATION

System Structure

Ancillary products for sealing of anchor penetrations:

- A Sikaflex® polyurethane sealant, for example Sikaflex®-11 FC
- Jubilee clips to seal penetration

Ancillary products for use as injection flange:

- Hose nipple on base of metal or plastic, to be inserted into trumpet flange
- Metal clamping ring to seal hose nipple
- Injection hose, or metal pipe with inner winding

APPLICATION INFORMATION

Ambient Air Temperature + 5 °C min.

APPLICATION INSTRUCTIONS

APPLICATION METHOD / TOOLS

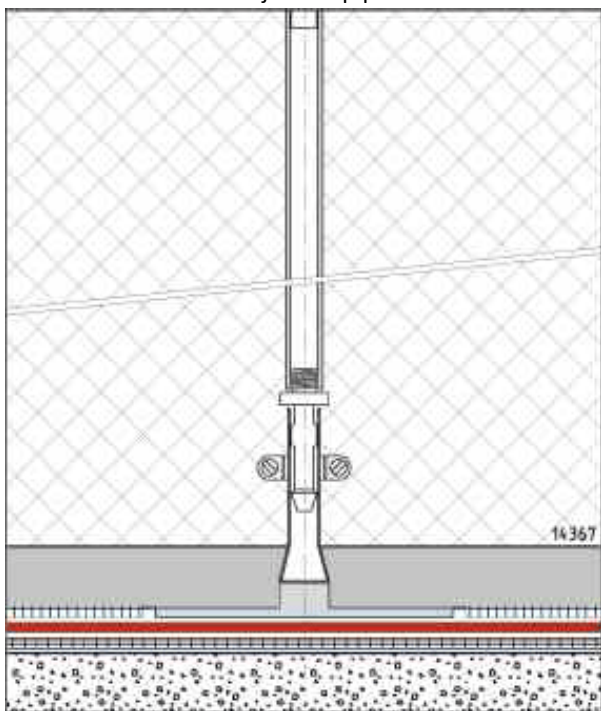


For use sealing an anchor penetration

Installed Sikaplan® WP sheet membrane must be dry and clean. Installation according to valid Method Statement and standard detail drawing for basement and tunnel waterproofing with Sikaplan® WP sheet membranes. Cut a hole into and through the waterproofing system at rock bolt area. Clean the area to be welded (free from any dust, oil, grease, etc). Place and watertight weld the Sika trumpet flange to the tunnel waterproofing membrane. Tightly close the trumpet shaft around the rock anchor using a Sikaflex® polyurethane sealant and jubilee clips.

For usage as injection flange

Spotwise welding of base part on sheet membrane by heat welding tool, fixing of hose nipples into pipe by clamping with steel clamping ring. Fixed hose nipples to be connected with injection pipe.



LIMITATIONS

This product must only be used by Sika approved applicators.

BASIS OF PRODUCT DATA

All technical data stated in this Product Data Sheet are based on laboratory tests. Actual measured data may vary due to circumstances beyond our control.

LOCAL RESTRICTIONS

Please note that as a result of specific local regulations the performance of this product may vary from country to country. Please consult the local Product Data Sheet for the exact description of the application fields.

ECOLOGY HEALTH AND SAFETY

REGULATION (EC) NO 1907/2006 - REACH

This product is an article as defined in article 3 of regulation (EC) No 1907/2006 (REACH). It contains no substances which are intended to be released from the article under normal or reasonably foreseeable conditions of use. A safety data sheet following article 31 of the same regulation is not needed to bring the product to the market, to transport or to use it. For safe use follow the instructions given in this product data sheet. Based on our current knowledge, this product does not contain SVHC (substances of very high concern) as listed in Annex XIV of the REACH regulation or on the candidate list published by the European Chemicals Agency in concentrations above 0.1 % (w/w)

LEGAL NOTES

The information, and, in particular, the recommendations relating to the application and end-use of Sika products, are given in good faith based on Sika's current knowledge and experience of the products when properly stored, handled and applied under normal conditions in accordance with Sika's recommendations. In practice, the differences in materials, substrates and actual site conditions are such that no warranty in respect of merchantability or of fitness for a particular purpose, nor any liability arising out of any legal relationship whatsoever, can be inferred either from this information, or from any written recommendations, or from any other advice offered. The user of the product must test the product's suitability for the intended application and purpose. Sika reserves the right to change the properties of its products. The proprietary rights of third parties must be observed. All orders are accepted subject to our current terms of sale and delivery. Users must always refer to the most recent issue of the local Product Data Sheet for the product concerned, copies of which will be supplied on request. It may be necessary to adapt the above disclaimer to specific local laws and regulations. Any changes to this disclaimer may only be implemented with permission of Sika® Corporate Legal in Baar.

Sika (NZ) Limited
85-91 Patiki Road
Avondale, Auckland 1026
New Zealand
0800 745 269
www.sika.co.nz



Product Data Sheet
Sikaplan® WP Trumpet Flange
March 2019, Version 01.01
02070499021000013

SikaplanWPTrumpetFlange-en-NZ-(03-2019)-1-1.pdf

