

Sika approved protection layer  
Sika Hydrotech Monolithic Membrane 6125

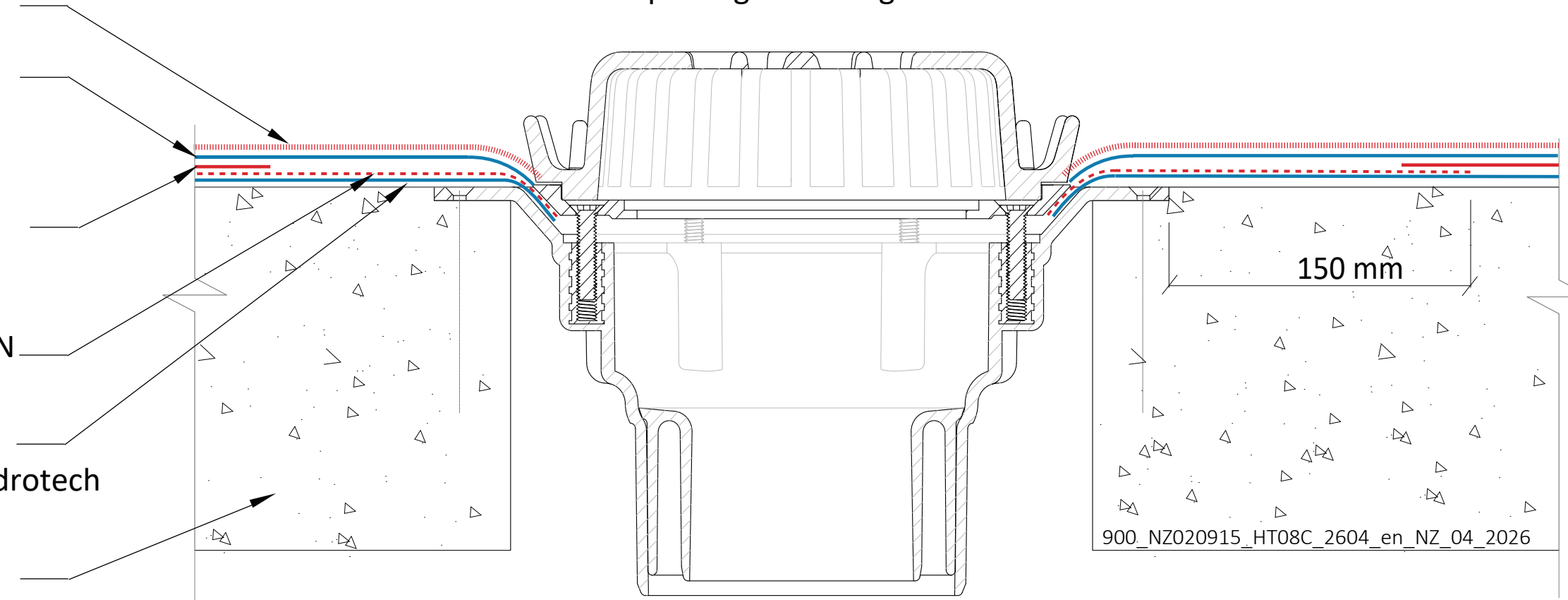
Sika Hydrotech Flex-Flash F laps over Sika Hydrotech Flex-Flash UN

Sika Hydrotech Flex-Flash UN laps into drain clamp area

Sika Hydrotech Monolithic Membrane 6125 on Sika Hydrotech Surface Conditioner 56170

Concrete substrate

**AquaKnight Drainage Outlet**



Notes:  
Sika Hydrotech Monolithic Membrane 6125 must be overlaid with a Sika Approved Protection Layer or Hydroflex 30.

Sika approved protection layer  
Sika Hydrotech Monolithic Membrane 6125

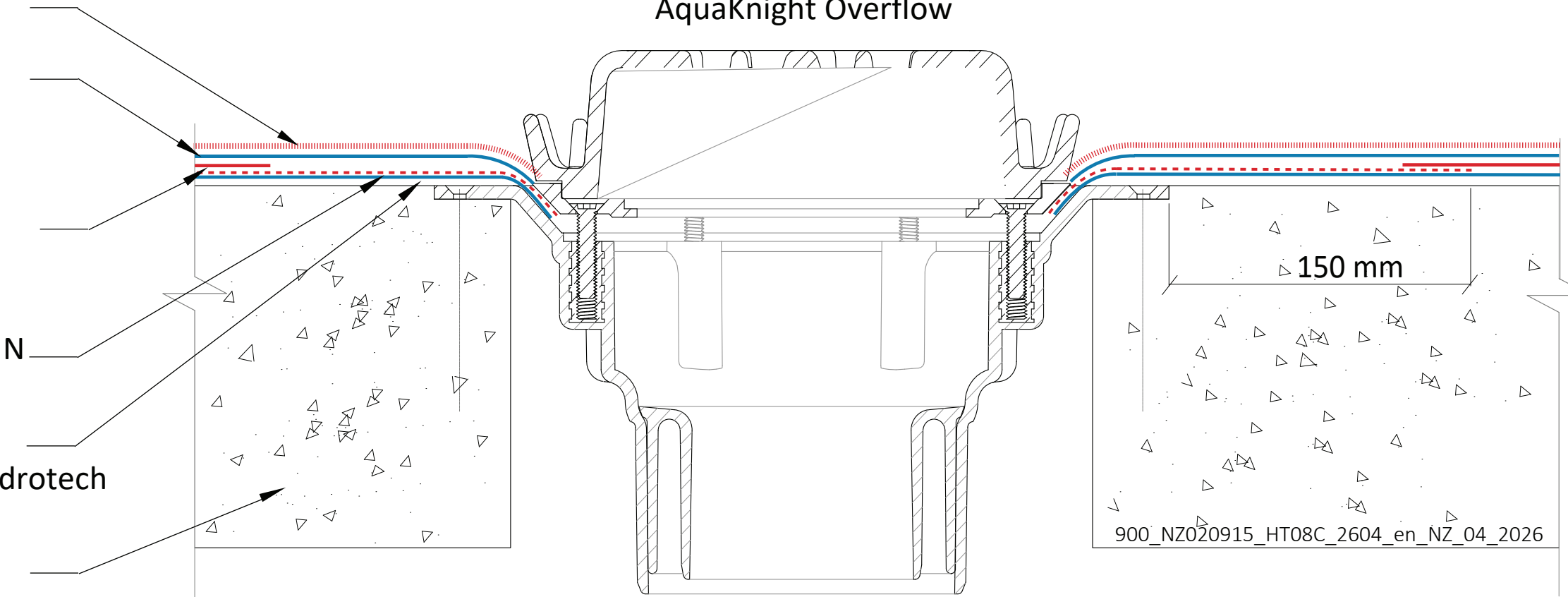
Sika Hydrotech Flex-Flash F laps over Sika Hydrotech Flex-Flash UN

Sika Hydrotech Flex-Flash UN laps into drain clamp area

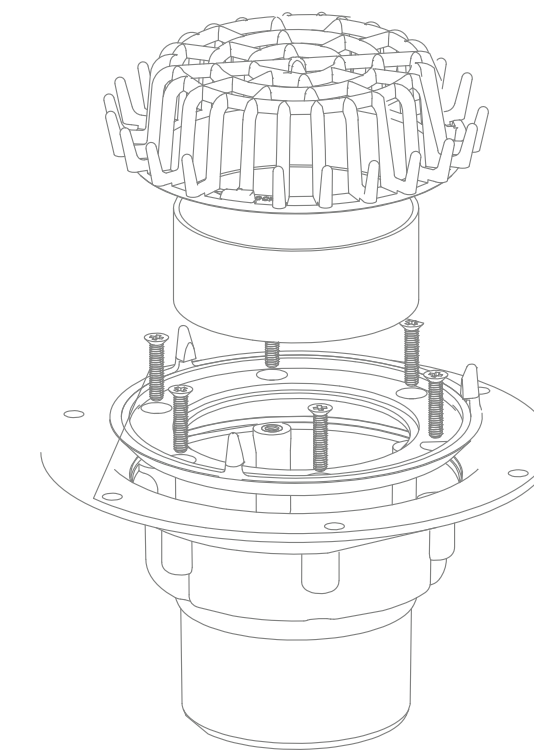
Sika Hydrotech Monolithic Membrane 6125 on Sika Hydrotech Surface Conditioner 56170

Concrete substrate

**AquaKnight Overflow**



Overflow Insert



**SIKA HYDROTECH MONOLITHIC MEMBRANE 6125**

Outlet and Overflow Connection Details

General Detail. Not to scale.

DRAWING MUST ALWAYS BE REVIEWED BY A DESIGN SPECIALIST AND IF NECESSARY MODIFIED TO ENSURE SUITABILITY FOR THE SPECIFIC APPLICATION

The information contained herein and any other advice are given in good faith based on Sika's current knowledge and experience of the products when properly stored, handled and applied under normal conditions in accordance with Sika's recommendations. The information only applies to the application(s) and product(s) expressly referred to herein and is based on laboratory tests which do not replace practical tests. In case of changes in the parameters of the application, such as changes in substrates etc., or in case of a different application, consult Sika's Technical Service prior to using Sika products. The information contained herein does not relieve the user of the products from testing them for the intended application and purpose. All orders are accepted subject to our current terms of sale and delivery. Users must always refer to the most recent issue of the local Product Data Sheet for the product concerned, copies of which will be supplied on request.

900\_NZ020915\_HT08C\_2604\_en\_NZ\_04\_2026

April 2026

**Sika (NZ) Ltd**

85 Patiki Road

Auckland 1026

New Zealand.

Ph. 0800 745 269

www.sika.co.nz

**BUILDING TRUST**

